

## II. Main specifications

Cutting capacity	●250mm
	■280×230mm
Dimensions of saw blade	2750×27×0.9mm
Blade speed	53/79m/min
Voltage / Frequency/ Phase	380V/50Hz/3PH
Main motor	Power
	0.85/1.1kw
	Rotary speed
	930/1400r/min
Rotary degree of saw blade in horizontally	Positive 60°
	Reverse 45°
Overall dimensions of sawing machine	1500×900×1300mm
Weight	350kg

## III. The outline of main constructions

The Band Saw consists of different parts, such as, lathe bed, support seat, jig tool(jaw vice), length positioner, saw blade tightener, saw bow (driving system), hydraulic, cylinder and cooling systems and so on, for details, please refer to Fig.1 as follows:

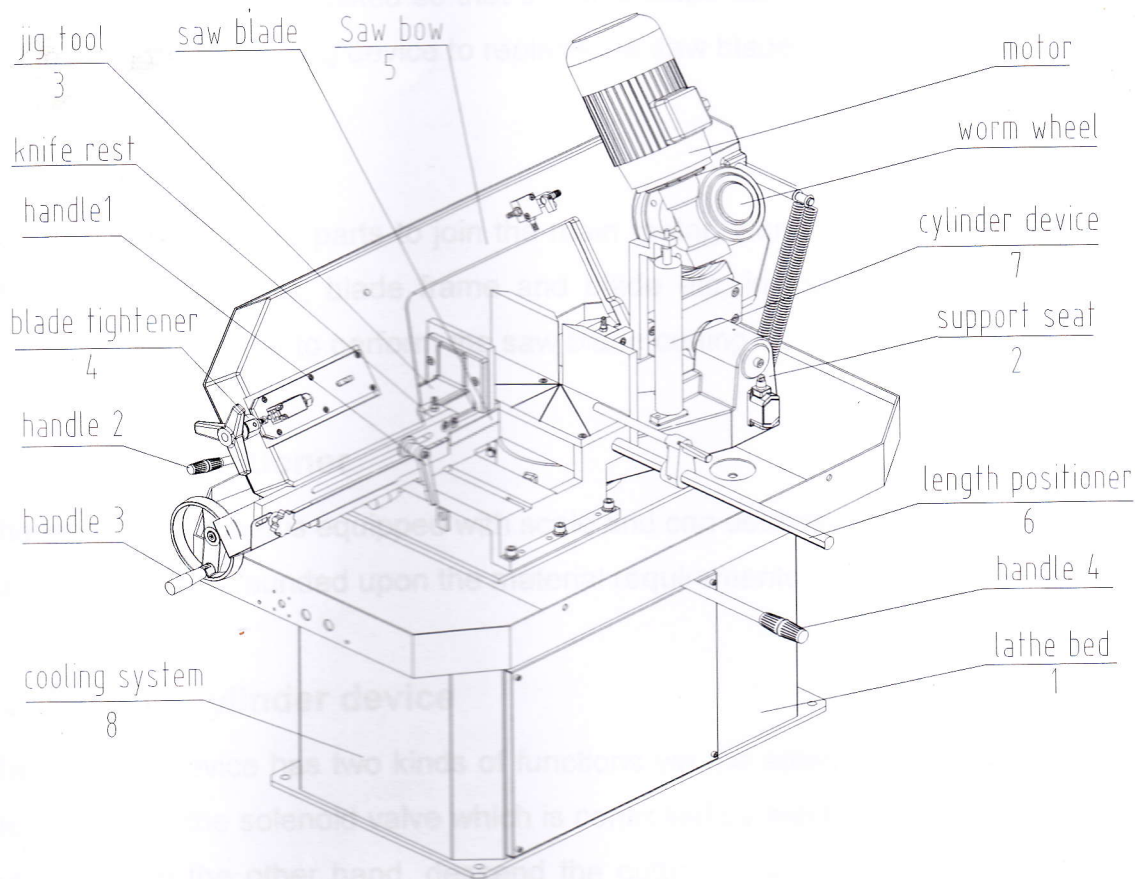


Fig. 1